



**Franklin Electric**

**6" Motor Design 4- 30 kW**

**Cast Iron Version**

**304SS**

**316SS**



**Material DIN / AISI**

Part	Cast Iron Version	304	316 SS
Shell	1.4301	1.4301	1.4571
Upper end bell	Cast iron powder coated	1.4301	1.4408
Lower end bell	Cast iron	Cast iron	Cast iron
Thrust housing	Cast iron powder coated	1.4301	1.4408
Mechanical seal	SiC / SiC	SiC / SiC	SiC / SiC
Seal cover	1.4301	1.4301	1.4401
Slinger	NBR	NBR	NBR
Shaft end	1.4305	1.4305	1.4462
Diaphragm	NBR	NBR	NBR
Lead	EPR	EPR	EPR



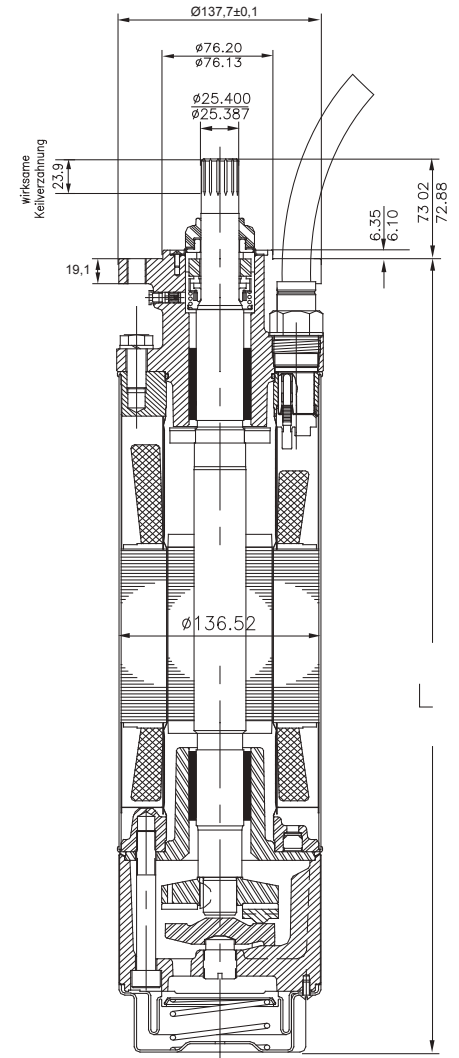
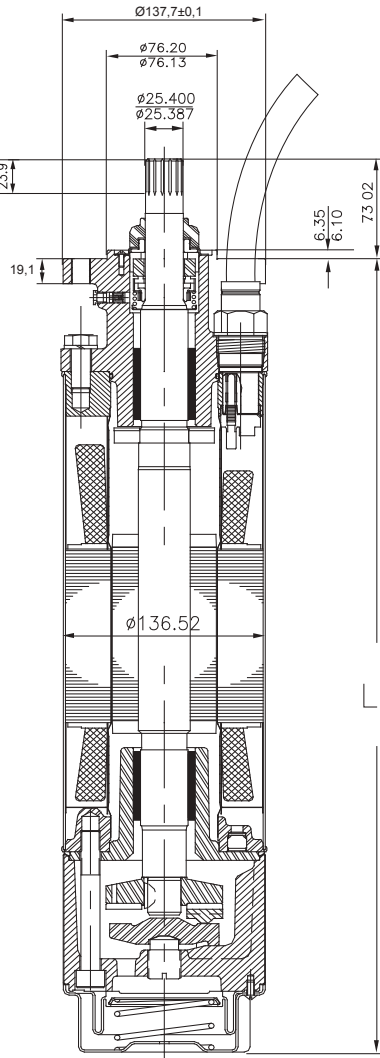
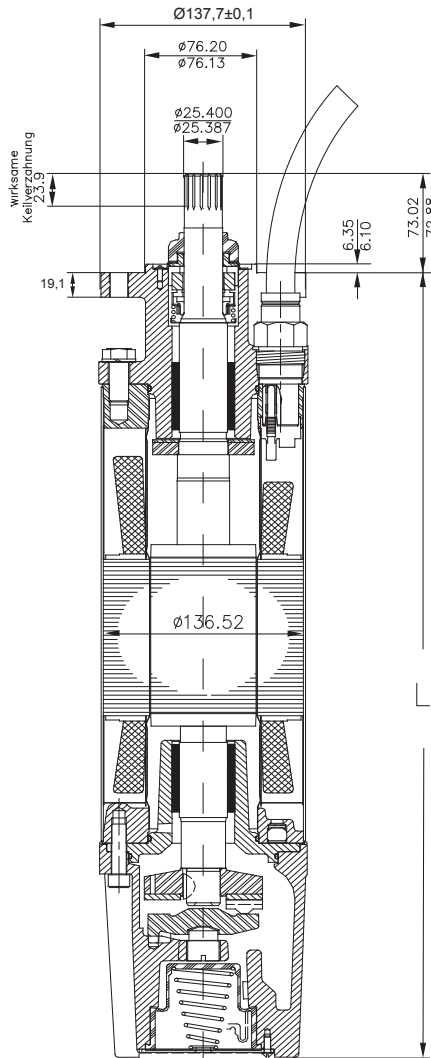
**Franklin Electric**

## 6" Motor Design 4 - 30 kW

Cast Iron Version

304SS

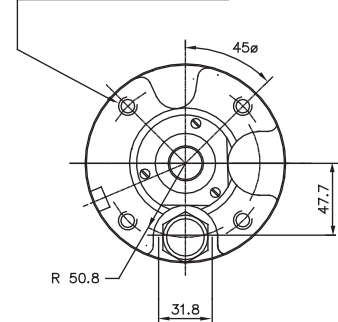
316SS



### Motor Sizes

P <sub>N</sub> [kW]	Cast Iron L [mm]	304SS L [mm]	316SS L [mm]	Motor Package Size [mm]	Shipping Weight [kg]	
					DOL	YΔ
4	581,2	570,7	570,7	155 x 212 x 800	41,3	40,3
5,5	614,4	604,0	604,0	155 x 212 x 800	44,9	43,9
7,5	646,2	635,8	635,8	155 x 212 x 800	49,0	48,0
9,3	678,7	668,3	668,3	155 x 212 x 1070	51,3	50,3
11	711,2	700,8	700,8	155 x 212 x 1070	54,7	53,7
15	776,2	765,8	765,8	155 x 212 x 1070	60,5	59,5
18,5	841,5	831,1	831,1	155 x 212 x 1070	67,1	66,1
22	906,5	896,1	896,1	155 x 212 x 1070	73,1	72,1
30	1036,6	1026,2	1026,2	155 x 212 x 1200	87,7	87,7

4 threaded holes  
1/2-20 UNF-2B  
hole circle - Ø111,2±0,3





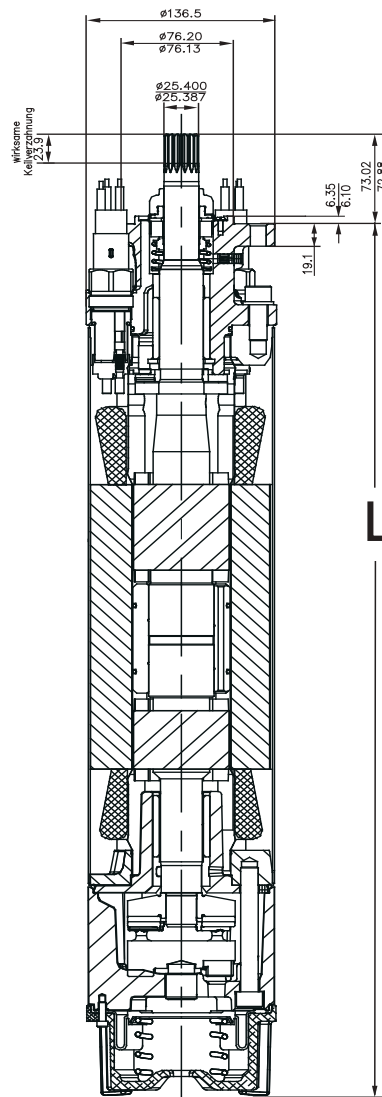
**Franklin Electric**

**6" Motor Design 37- 45 kW**

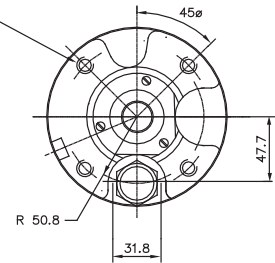
**Cast Iron Version**

**316SS**

**Dimensions**



4 threaded holes  
1/2-20 UNF-2B  
hole circle -  $\varnothing 111,2 \pm 0,3$



**Material DIN / AISI**

Part	Cast Iron Version	316 SS
Shell	1.4301	1.4571
Upper end bell	Cast iron powder coated	1.4408
Lower end bell	Cast iron	Cast iron
Thrust housing	Cast iron powder coated	1.4408
Mechanical seal	SiC / SiC	SiC / SiC
Seal cover	1.4301	1.4401
Slinger	Viton	Viton
Shaft end	1.4305	1.4542
Diaphragm	Viton	Viton
Lead	EPR	EPR
Jam Nut (Lead)	Brass	1.4401
Lead bushing	Rubber	Rubber

**Motor Sizes**

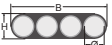
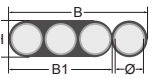
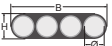
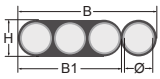
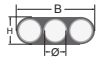
$P_N$ [kW]	304 L [mm]	316 L [mm]	Motor Package Size [mm]	Shipping Weight [kg]
37	1476,7	1476,7	223 x 267 x 1823	140
45	1629,2	1629,2	223 x 267 x 1823	156



**Franklin Electric**



**VDE / ACS / KTW Approved Leads\* 304 / 316SS**

DOL	Ø mm <sup>2</sup>	Lenght [m]	St.#	Motor			B [mm] (± 0,3)	B1 [mm] (±0,3)	H [mm] (± 0,3)
				220V	380 - 415V	500V			
	4G4	4	1	4-11kW	4-22 kW	4-30 kW	19,0	-	7,0
	3X8,4+1G8,4	4	1	15-22 kW	30-45 kW		29,5	19,5	8,9
YΔ	Ø mm <sup>2</sup>	Lenght [m]	St.#	Motor			B [mm] (± 0,3)	B1 [mm] (±0,3)	H [mm] (± 0,3)
				220V	380 - 415V	500V			
	4G4 (L=4m)	4	2	4-22kW	4-30 kW		19,0	-	7,0
	3X8,4+1G8,4	4	1	30-37kW	37-45 kW		29,5	19,5	8,9
	3X8,4		1				19,6	-	8,9