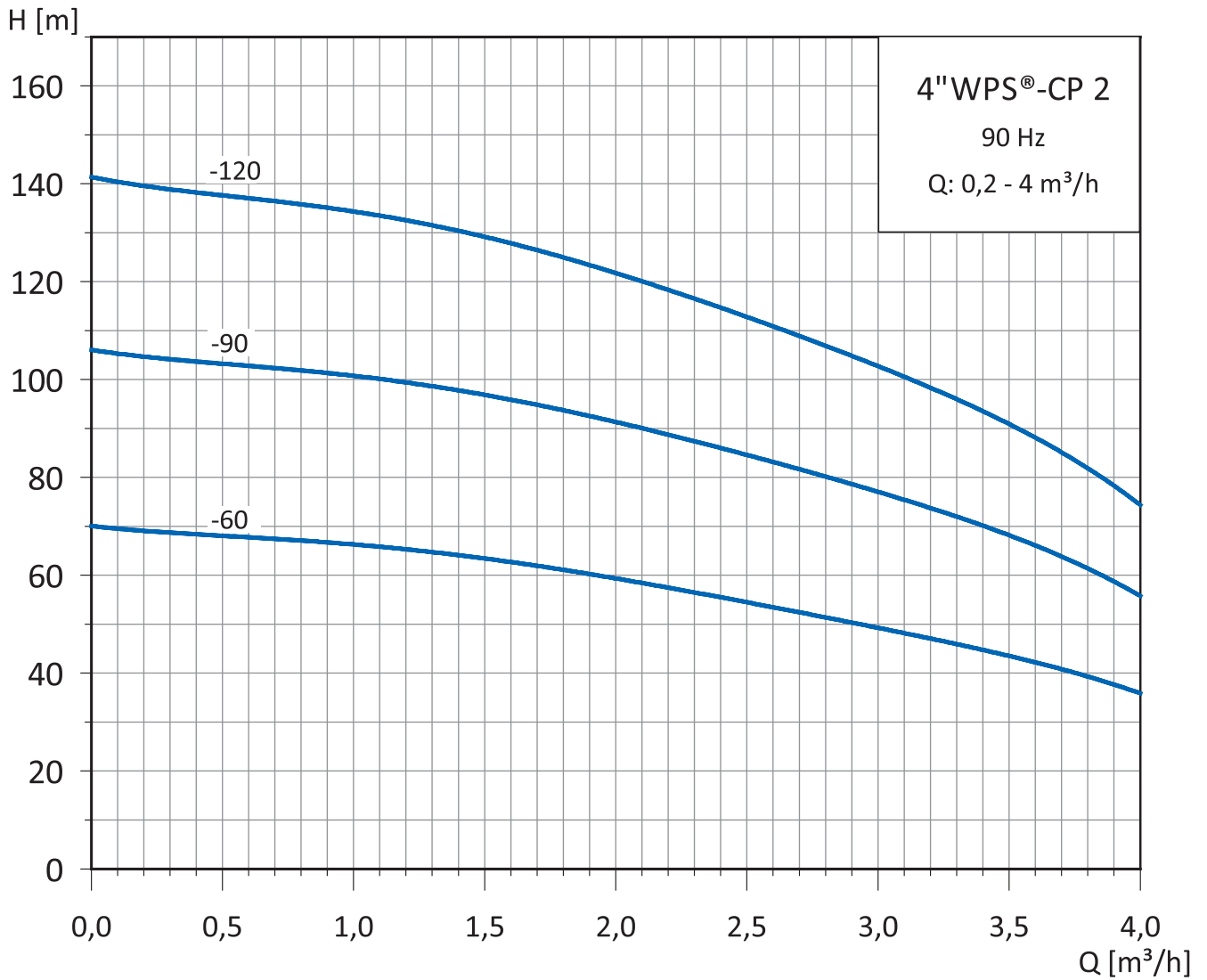


# Performance Curves

## Performance Curves 4"WPS®-CP 2

4"WPS®-CP



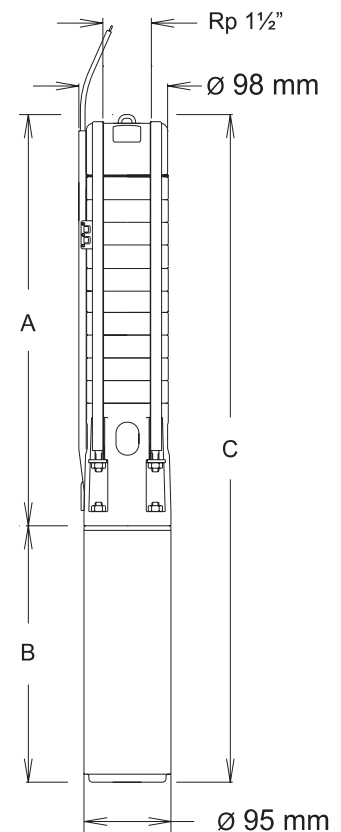
## Selection Chart 4"WPS®-CP 2

Pump Type	Flow [m <sup>3</sup> /h]					Max head [m] at 0 m <sup>3</sup> /h	Full load current	
	1	1,5	2	2,5	3		1x230V	3x230V
4"WPS®-CP 2-60	67	63	59	55	49	70	4,8	8,3
4"WPS®-CP 2-90	101	98	92	84	77	107	7,1	12,3
4"WPS®-CP 2-120	134	129	122	113	103	142	9,3	16,1

**4"WPS®-CP**

## Dimensions and Weights 4"WPS®-CP 2

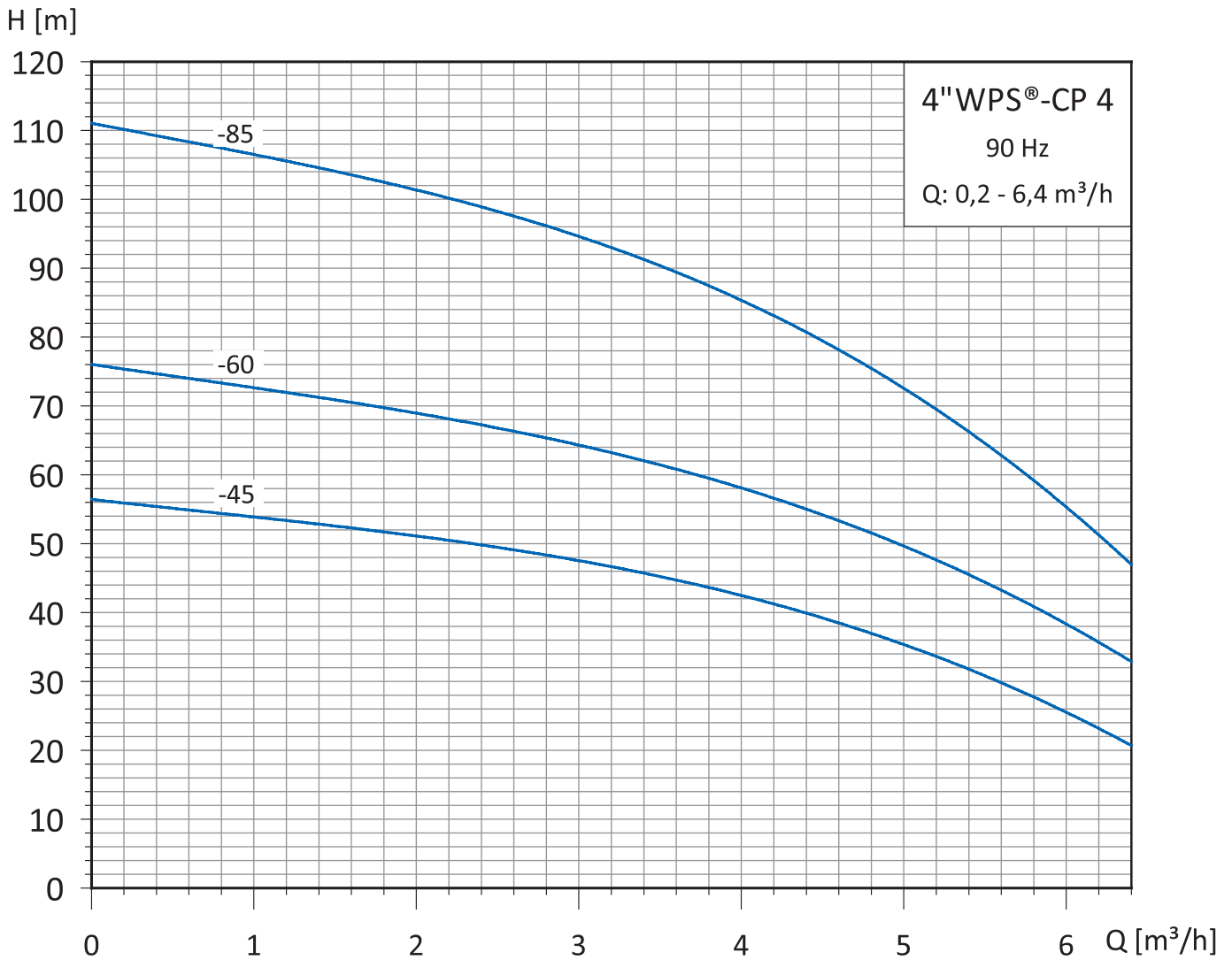
Pump Type	Pump Power P <sub>2</sub>		Pump data			Weight [kg]	
	[kW]	[HP]	A [mm]	B [mm]	C [mm]	Pump end	Electropump
4"WPS®-CP 2-60	1,1	1,5	300	295	595	3,2	14,1
4"WPS®-CP 2-90	1,5	2	349	340	689	3,8	15,2
4"WPS®-CP 2-120	2,0	2,7	397	375	772	4,4	18,6



# Performance Curves

## Performance Curves 4"WPS®-CP 4

4"WPS®-CP



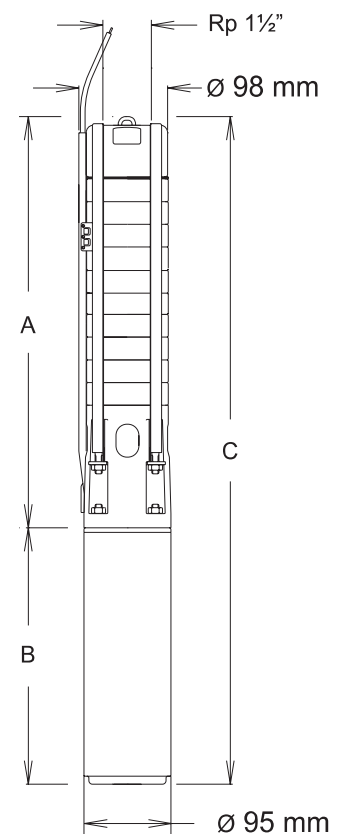
## Selection Chart 4"WPS®-CP 4

Pump Type	Flow [m³/h]					Max head [m] at 0 m³/h	Full load current	
	2	3	4	5	6		1x230V	3x230V
4"WPS®-CP 4-45	51	47	43	35	25	56	4,8	8,3
4"WPS®-CP 4-60	69	64	58	50	38	76	7,1	12,3
4"WPS®-CP 4-85	101	95	85	72	55	111	9,3	16,1

**4"WPS®-CP**

## Dimensions and Weights 4"WPS®-CP 4

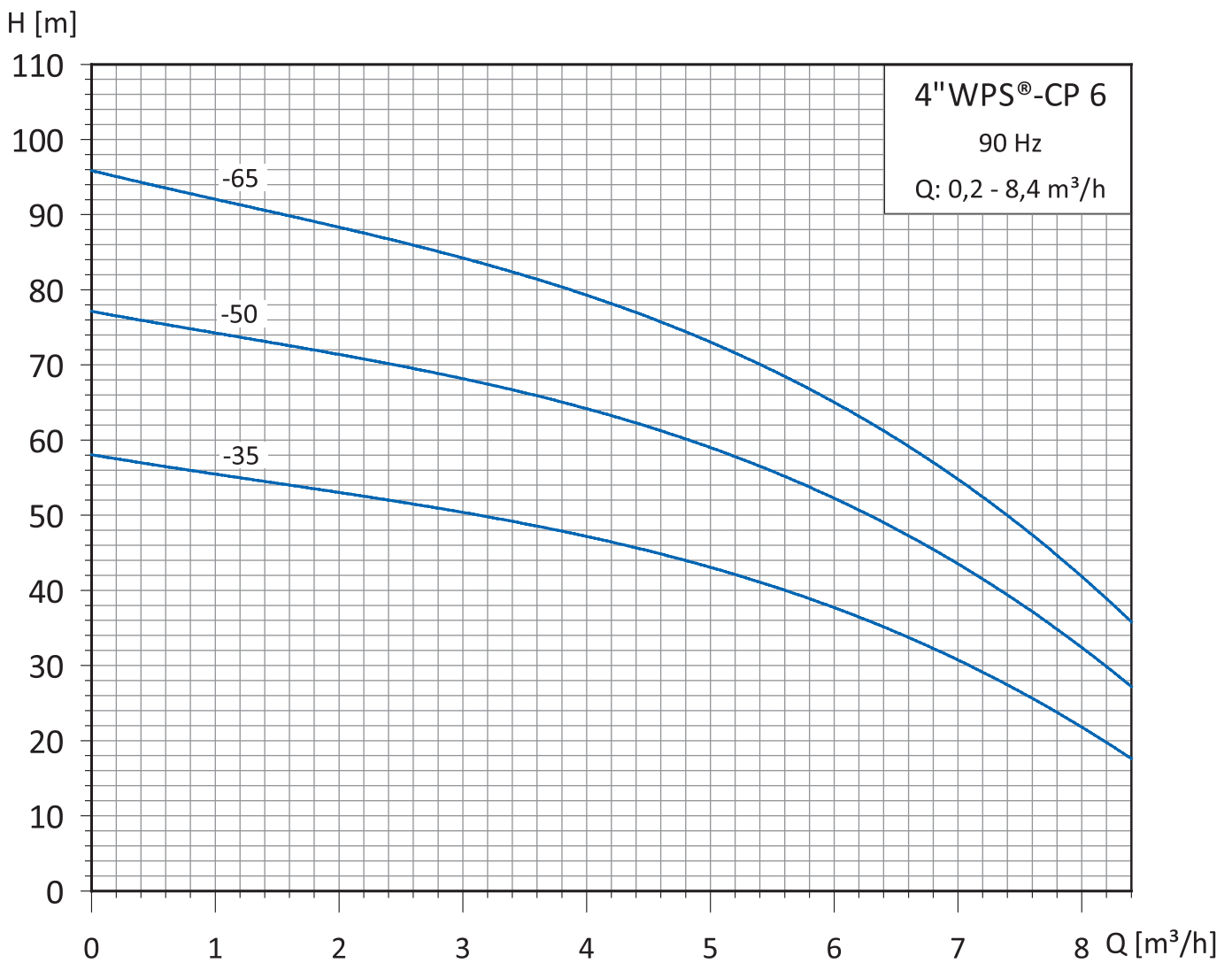
Pump Type	Pump Power P <sub>2</sub>		Pump data			Weight [kg]	
	[kW]	[HP]	A [mm]	B [mm]	C [mm]	Pump end	Electropump
4"WPS®-CP 4-45	1,1	1,5	276	295	571	2,9	13,8
4"WPS®-CP 4-60	1,5	2	300	340	640	3,2	14,6
4"WPS®-CP 4-85	2,0	2,7	349	375	724	3,9	18,1



# Performance Curves

## Performance Curves 4"WPS®-CP 6

4"WPS®-CP



## Selection Chart 4"WPS®-CP 6

Pump Type	Flow [m <sup>3</sup> /h]					Max head [m] at 0 m <sup>3</sup> /h	Full load current	
	2	4	5	6	7		1x230V	3x230V
4"WPS®-CP 6-35	53	47	43	37	31	58	4,8	8,3
4"WPS®-CP 6-50	71	64	59	52	43	77	7,1	12,3
4"WPS®-CP 6-65	88	79	73	65	54	96	9,3	16,1

4"WPS®

## Dimensions and Weights 4"WPS®-CP 6

Pump Type	Pump Power P <sub>2</sub>		Pump data			Weight [kg]	
	[kW]	[HP]	A [mm]	B [mm]	C [mm]	Pump end	Electropump
4"WPS®-CP 6-35	1,1	1,5	276	295	571	2,9	13,8
4"WPS®-CP 6-50	1,5	2	300	340	640	3,2	14,6
4"WPS®-CP 6-65	2,0	2,7	325	375	700	3,6	17,8

