



Series **4WP**
2wire
4" 2 WIRE ENCAPSULATED
SUBMERSIBLE MOTOR

4WP 2W Series

4" 2 wire encapsulated submersible motor

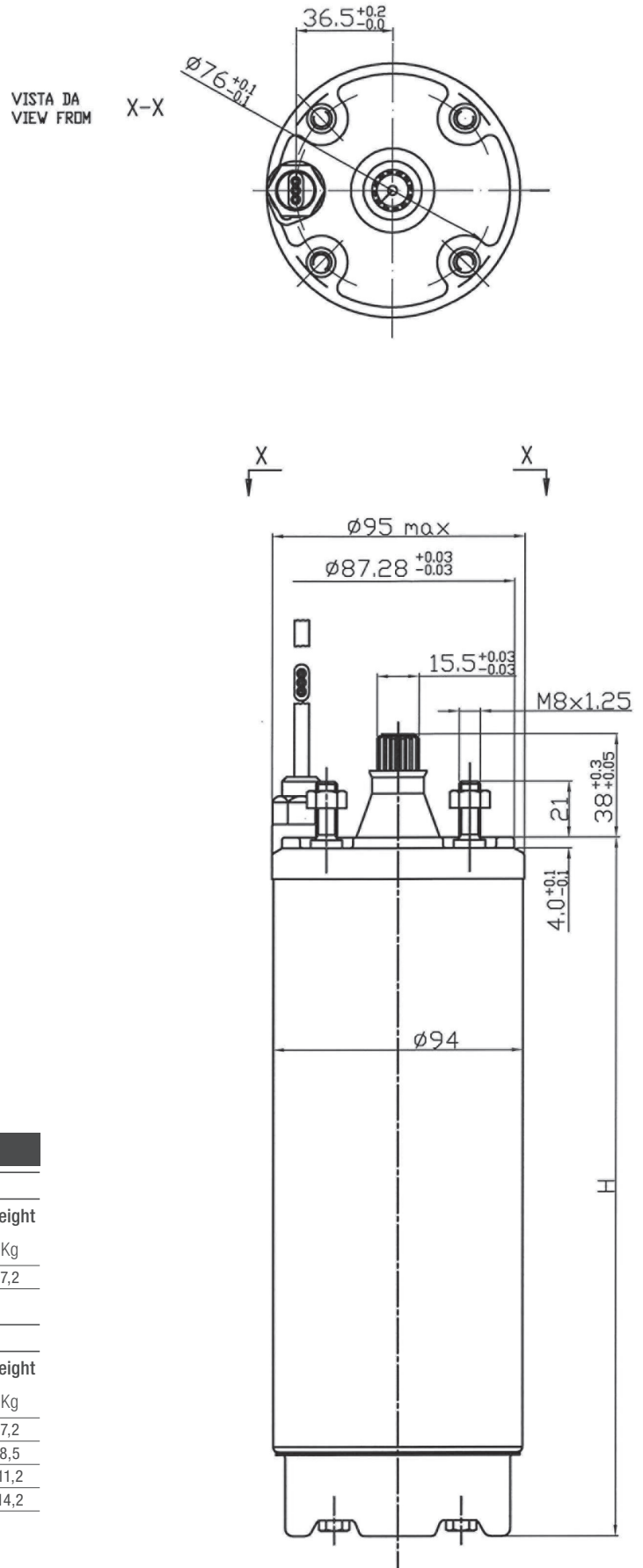


Technical features

- Encapsulated resin filled stator.
- Built in electronic starter.
- Built in thermal overload.
- Built in lightning arrestor.
- Upper bracket: Cataphoresis treated cast iron plus SS304 cover cap.
- Motor case: SS 304.
- Motor shaft: SS 304.
- Shaft end and coupling: NEMA standard.
- Kingsbury thrust bearing.
- Winding: enameled copper – Class F insulation.
- Degree of protection: IP68/Class B insulation.
- Max temp. 35° with water cooling flow min. 0.08 m/s.
- Max depth immersion: 150 m.
- Nos. of start per hour: max 30 at regular intervals.
- Labyrinth seal, sand slinger and lip seal.
- Coolant: water and propylene glycol.
- Motor cable length: 1,75 m (2 wires plus ground).
- Voltage variation: +6 / -10%.
- Suitable for horizontal operation.

Motor range versions:

- Single Phase: 0.37kW (0.5hp) to 1.1kW (1.5hp), 220-230V / 50Hz (or 60 Hz).
- Other voltage and frequencies available upon request.



DIMENSION AND WEIGHT

V115 / 50-60HZ								
Type	kW	Hp	Axial thrust	H	Cable			Weight
				mm	Sez. mm ²	A mm	B mm	Kg
4WP 050	0,37	0,5	1500 N	270	1,5	5,3	10,7	7,2
V220-240 / 50-60HZ								
Type	kW	Hp	Axial thrust	H	Cable			Weight
				mm	Sez. mm ²	A mm	B mm	Kg
4WP 050	0,37	0,5		270				7,2
4WP 075	0,55	0,75	1500 N	295	1,5	5,3	10,7	8,5
4WP 100	0,75	1		315				11,2
4WP 150	1,1	1,5	3000 N	290				14,2

4WP 2W Series

4" 2 wire encapsulated submersible motor

SINGLE PHASE														
50Hz.	Thrust Load	Weight	H	kW	Hp	In	I _{max}	RPM	Cosφ	Ts/Tn PSC	EFF%	Ω		
	N	Kg	mm			Amp						main	aux	
230 V	4WP 050 M	1500	8,8	270	0,37	0,5	4,4	26	2890	0,70	0,85	58	8,19	15,4
	4WP 075 M		9,8	295	0,55	0,75	5,9	35	2880	0,72	0,81	58	6,09	14,59
	4WP 100 M	3000	10,8	315	0,75	1	7,8	49	2880	0,72	0,82	58	4,04	9,39
	4WP 150 M		12,5	390	1,1	1,5	11,5	72	2860	0,74	0,81	60	2,95	7,20

SINGLE PHASE																	
60Hz.	Thrust Load	Weight	H	kW	Hp	In	I _{start}	Amps	RPM	Cosφ	Ts/Tn	EFF%	S.F.	Rm	Starting torque Nm		Ts/TN
	N	Kg	mm			Amp		s.f.									
115 V	4WP 050 M	1500	7,5	272	0,37	0,5	9,8	61,0	13,0	3550	0,7	0,58	50	1,6	1,17	0,8	0,8
220 V	4WP 050 M	1500	7,5	272	0,37	0,5	4,8	31,0	6,4	3500	0,7	0,58	50	1,6	4,96	0,8	0,8
	4WP 075 M		8,4	295	0,55	0,75	7	39	9,3	3490	0,73	0,6	54	1,5	3,82	1,2	0,8
	4WP 100 M	3000	9,2	315	0,75	1	8,4	50	12,0	3490	0,71	0,6	57	1,4	2,48	1,9	0,9
	4WP 150 M		12,5	390	1,1	1,5	12	71	15,4	3490	0,73	0,6	60	1,3	1,87	2,5	0,8



Sumoto srl a company of Ebara Group
 Via Peripoli R. e G., 1/3 - 36075
 Alte di Montecchio Maggiore (Vicenza) - Italy
 Tel. +39 0444 490515 - Fax +39 0444 490518
 info@sumoto.com
 www.sumoto.com

